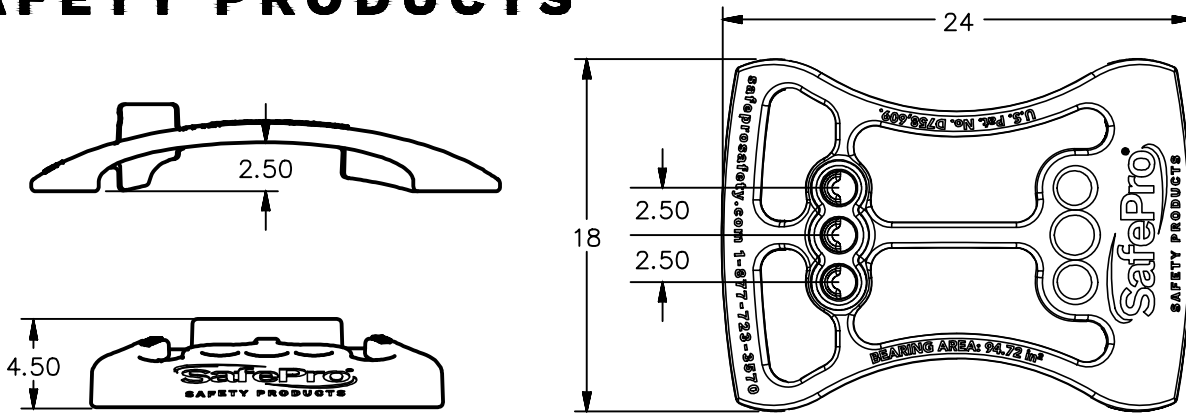




TECHNICAL DATA SHEET
BALLASTED GUARDRAIL BASE

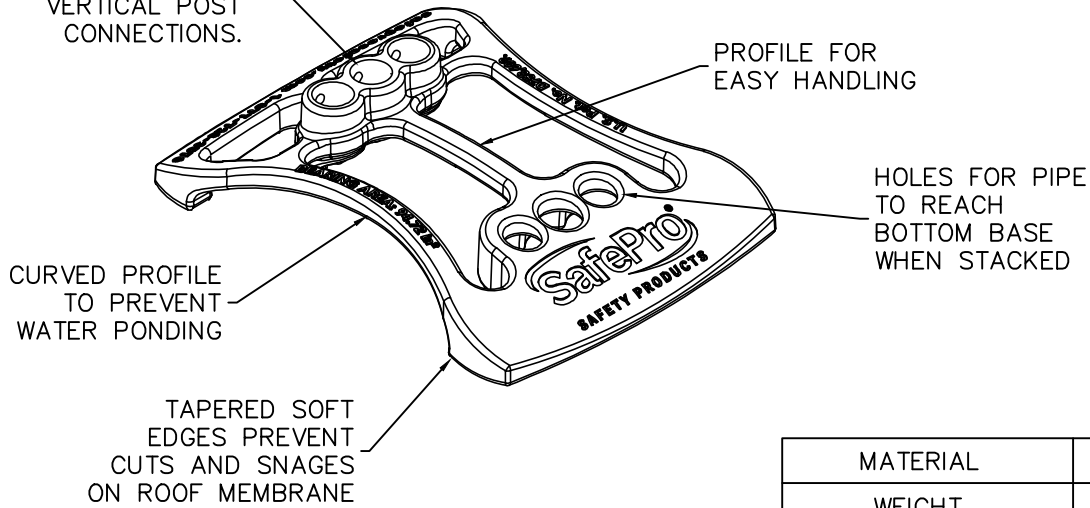
SAFETY PRODUCTS



INFORMATION:

- THIS COUNTERWEIGHTED GUARDRAIL BASE HAS BEEN DESIGNED TO MEET OR EXCEED OSHA 1910 AND 1926 WHEN USED WITH COMPATIBLE RAIL.
- HOT DIP GALVANIZED FINISH

THREE RECEIVERS ALLOW FOR VARIABLE CONFIGURATIONS. DESIGNED FOR 1.66" VERTICAL POST CONNECTIONS.



MATERIAL	CAST IRON
WEIGHT	84 ± 1 lbs.
FOOTPRINT	94.72 in ²
ROOF PRESSURE	0.9 psi

PROPRIETARY AND CONFIDENTIAL
THE INFORMATION CONTAINED IN THIS DRAWING IS THE SOLE PROPERTY OF SAFEPRO SAFETY PRODUCTS. ANY REPRODUCTION IN PART OR AS A WHOLE WITHOUT WRITTEN PERMISSION OF SAFEPRO SAFETY PRODUCTS IS PROHIBITED.
sales@safeprosafety.com (877) 723-3570 www.safeprosafety.com