

# Instruction Manual

## Gen3 Warning Line

### Overview

---

This system establishes a designated work area on low-slope roofs (slope  $\leq$  4:12) by providing a clearly visible warning boundary. When properly installed, position the warning line at least 6 ft from the roof edge, and increase the setback to 10 ft or more wherever mobile mechanical equipment operates perpendicular to the edge. The system functions strictly as a warning line—it is not a guardrail or fall-arrest device. Install only on flat, sound substrates. When using non-penetrating bases, the maximum recommended roof slope is 1:12. Assemble and use as specified in this manual to meet OSHA compliance regulations under standards 29 CFR 1910.28, 1910.29, 29 CFR 1926.501, 1926.502 and Cal-OSHA Article 30, Section 1730.

### Tools

---

- 1/8" hex key (warning line top cap set screw)
- 3/16" hex key (cable set screw)
- Torque wrench with 5/16" Allen socket (pipe fitting set screws)
- Wire rope cutters / swage tool
- Recommended: 1/4" hex socket bit, adaptor, cordless impact driver
- **NOTE:** Approved fall protection is required when installing the system where fall hazards exist.

### Definitions

---

**Concrete Base:** Non-penetrating, modular base that supports stanchions without roof penetration.


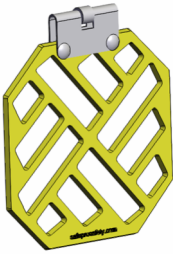
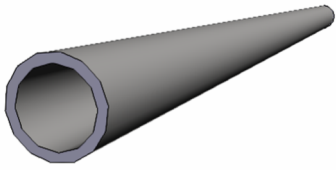
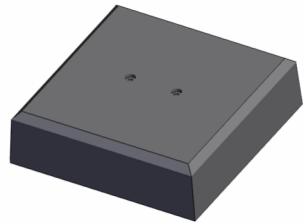
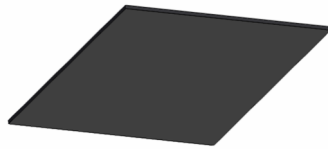

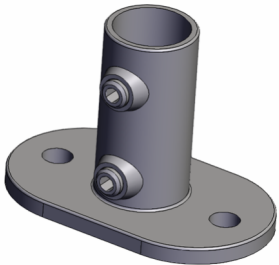
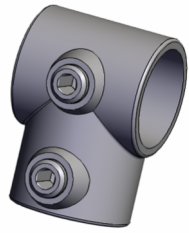
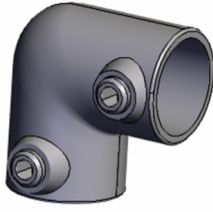
**Termination Post:** Vertical post for cable termination.

**Intermediate Post:** Vertical post the cable passes through between terminations.

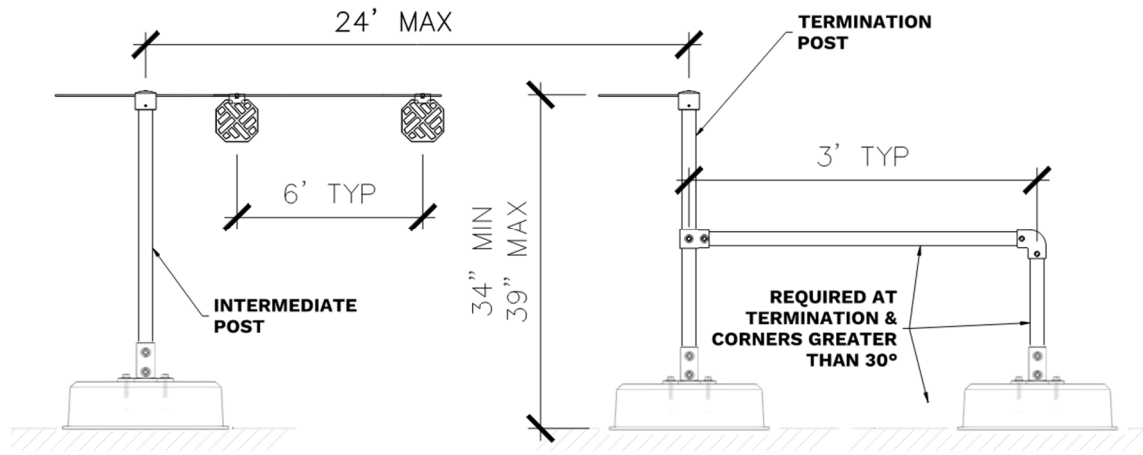
**Outrigger Assembly:** Offset base/pipe assembly required at ends and at direction changes greater than 30°.

**Designated Area:** As defined by OSHA 1910.28, a low-slope rooftop work zone set back from unprotected edges.

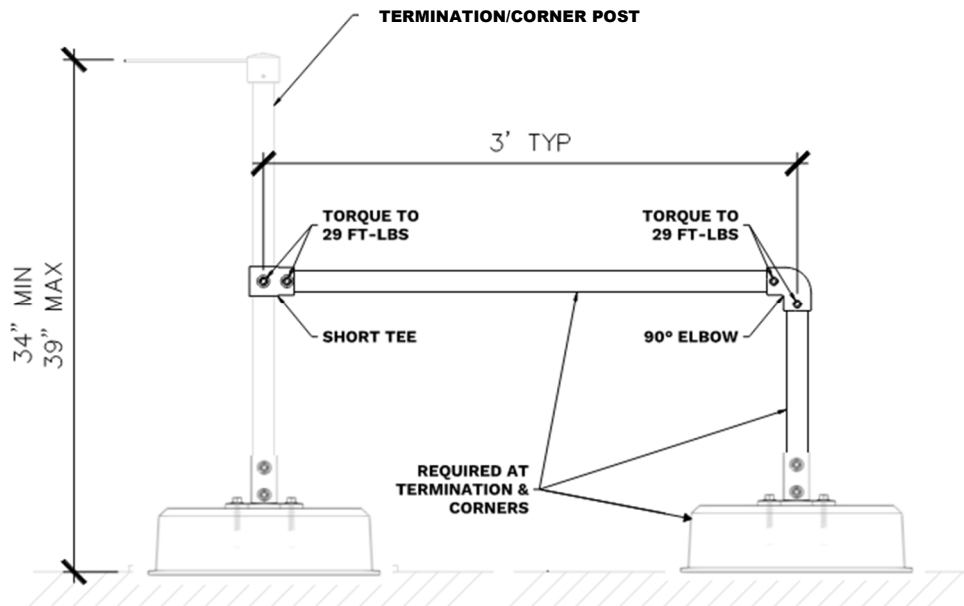
Parts List

<p>Yellow PVC Coated Cable</p> 	<p>Flag Kit (includes: Flag, Clip, Crimp, and Rivets)</p> 	<p>Post/Outrigger Pipe (1" NPS pipe, Galv)</p> 
<p>Concrete Base (14"x14"x4")</p> 	<p>Rubber Pad</p> 	<p>3/8" Flanged Bolt</p> 
<p>Base Flange Fitting</p> 	<p>Pass-Thru Tee Fitting</p> 	<p>90 deg Elbow Fitting</p> 

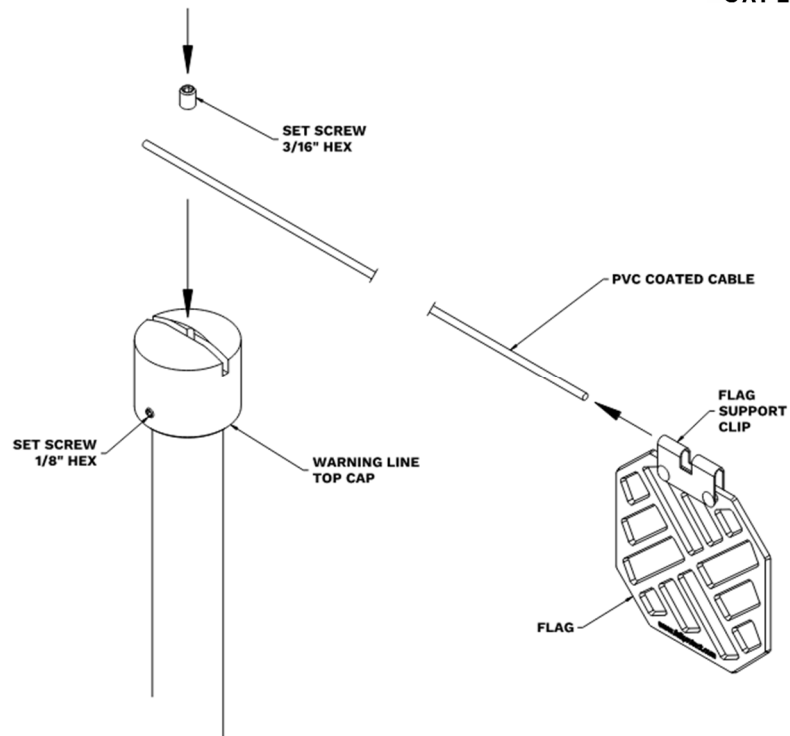
Installation Process



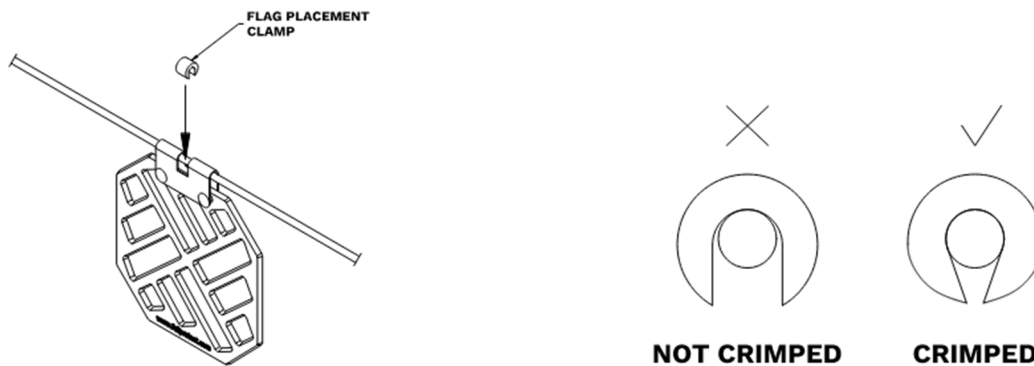
1. Plan the layout. Measure and mark base locations at 24-ft intervals; mark terminations/corners ( $>30^\circ$ ) for outrigger assemblies.
2. Place concrete bases in their marked positions. Orient end/corner bases to accommodate the outrigger pipe runs.
3. Fasten base flange fitting to the concrete bases using (2)  $3/8"$  flanged bolts. Insert the stanchion post to the base fitting. Assemble outrigger pipes and fittings at terminations and corners  $>30^\circ$ . Tighten all fitting set screws to 29 ft-lb.



4. Install the top cap on the first termination post. Insert the PVC-coated cable into the top-cap slot and secure using the cable set screw ( $3/16"$  hex). Tighten the top-cap to the stanchion ( $1/8"$  hex).



5. Thread pre-assembled warning flags onto the open cable end. At 6-ft intervals, position a flag and crimp the flag placement clamp with a swage tool so that lateral movement is prevented without damaging the cable.



6. Guide the cable through intermediate top caps, maintaining a straight, level run. At the far termination, tension by hand and secure in the top cap; cut cable to length and finish the termination.
7. Verify that pulling on any section will not remove slack from adjacent spans prior to base tipping.
8. Verify final cable height (34"-39").

## Limits of Use

---

This system provides a visual boundary for designated work areas on low-slope roofs and must not be used as a guardrail, anchorage, or fall-arrest/restraint device. Install only on flat, sound substrates; for non-penetrating bases, the maximum recommended roof slope is 1:12. Use only manufacturer-approved components, do not modify parts or add loads, and ensure workers are trained; inspect before each use and at least annually, removing damaged components from service.

## Inspection, Maintenance and Removal from Service

---

- Inspect before each use for damaged or missing components; remove defective parts from service.
- At least annually, a competent person shall perform a full inspection; treat minor corrosion and replace deteriorated components.
- Verify base placement, cable height, and flag spacing (6 ft O.C.) after installation and periodically during use.
- Keep at least 10 ft from overhead power lines.
- This warning line is not a guardrail and does not arrest falls.

If any item fails these inspections, remove from service and escalate to a Competent Person for disposition.

## Limitations of Liability

---

The system is designed solely as a warning line when installed and used per this manual and applicable regulations. Diversified Fall Protection is not liable for loss, injury, or damage arising from improper installation, use, or maintenance; operation outside stated limits; non-approved alterations; noncompliance with laws, standards, training, or supervision; or undisclosed site conditions. To the fullest extent permitted by law, DFP's obligation is limited to repair or replacement of products proven defective under normal use in accordance with its written warranty; all other warranties (express or implied, including merchantability and fitness for a particular purpose) are disclaimed, and incidental, indirect, special, or consequential damages are excluded. The employer is responsible for hazard assessment, compliance, training, supervision, and proper installation/inspection.